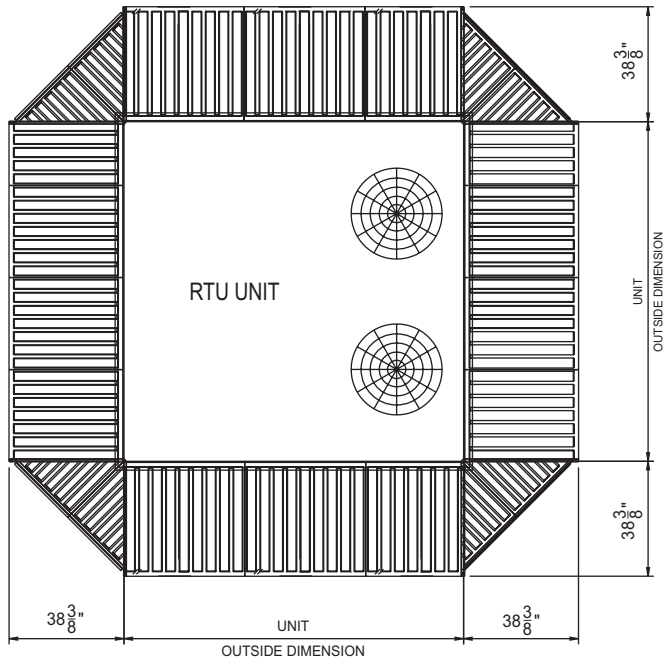
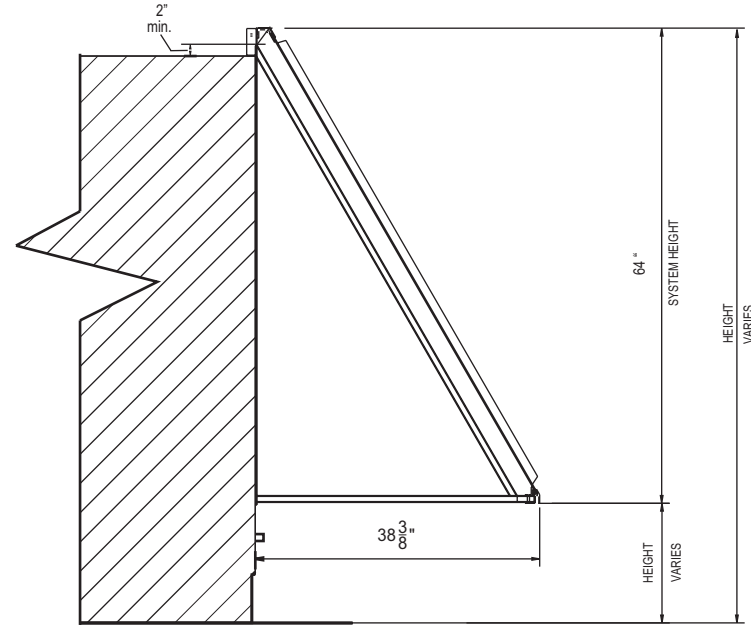


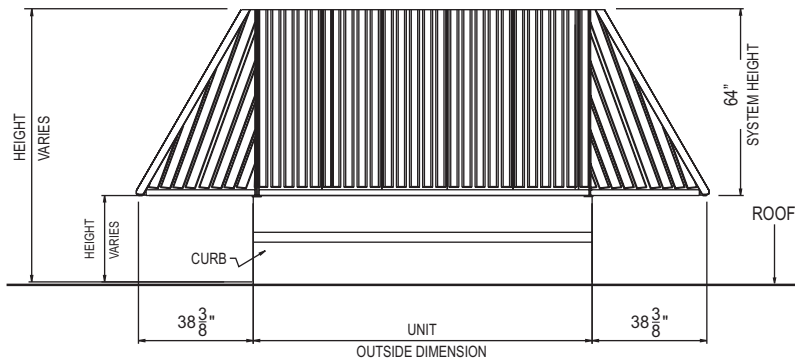
70 CANTED STYLE ENVISOR  
FOOTPRINT




70 CANTED STYLE ENVISOR  
SECTION



70 CANTED STYLE ENVISOR  
ELEVATION



NOTE: The Screen System shown corresponds to a typical construction of the Envisor 70 Canted Style using Flat Rib Panels. This drawing is intended to illustrate general dimensions of the Envisor System when installed on an average Roof Top Unit. Dimensions and specifications of the system can vary depending on the RTU's location to each other and performance characteristics.

<b>SALES PERSON</b>		<b>DESIGNER</b>		<b>APPRV.BY/DATE</b>		<b>PROJECT</b> Envisor® 70 Canted Style	
DATE 6/7/01		LAST REVISION 9/13/04				General Specifications	
<b>DRAWING No.</b> 100393S6.FH9 (70CANTED091304.PDF)				<b>SCALE</b> none		<b>CLIENT</b>	
THIS DRAWING IS SUBMITTED BY CITYSCAPES INTERNATIONAL, INC. FOR YOUR PERSONAL USE AS AN AID IN PROJECT PLANNING. IT IS NOT TO BE REPRODUCED, EXHIBITED, OR FABRICATED IN ANY FASHION WITHOUT PERMISSION FROM AN AUTHORIZED OFFICER OF THE COMPANY. ENVISOR IS A REGISTERED TRADEMARK OF CITYSCAPES INTERNATIONAL, INC.						 4200 Lyman Court, Hilliard, Ohio 43026 Ph. (877) SCREENS Fax (800) 726-4817 www.cityscapesinc.com	